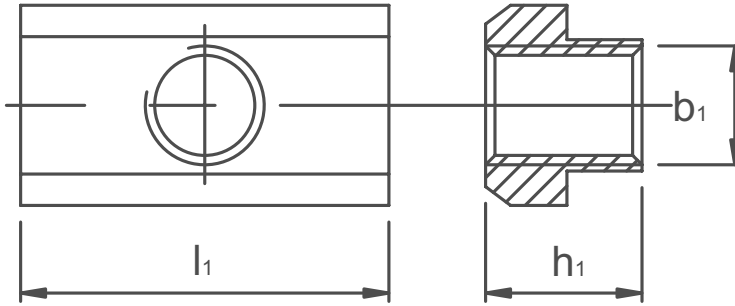


Extended T-Nut

DIN 508L



/ DIN 508L in refined steel, quality 10.



Part Reference	Nominal	l_1	h_1	b_1
TNE1	10M8	30	12	9.7
TNE2	12M10	36	14	11.7
TNE3	14M12	44	16	13.7
TNE4	16M14	50	18	15.7
TNE5	18M16	56	20	17.7
TNE6	20M18	64	24	19.7
TNE7	22M20	70	28	21.7
TNE8	24M22	80	32	23.7
TNE9	28M24	88	36	27.7
TNE10	32M27	100	40	31.5
TNE11	36M30	108	44	35.5