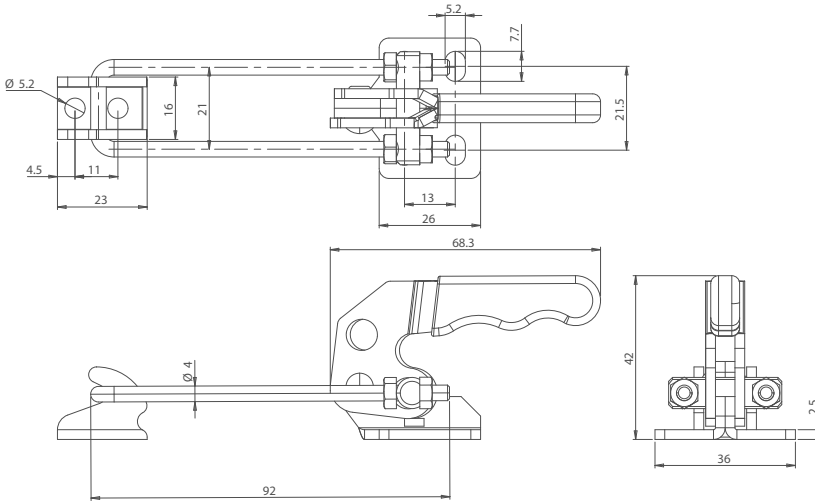


Latch Toggle Clamp Horizontal Versions



205

CLAMPING & FIXING



KEY INFORMATION

- / **Part No.**
TC40820
- / **Holding Force**
200Kg
- / **Weight**
0.12Kg
- / **Latch Plate Supplied**
TC40820LP

