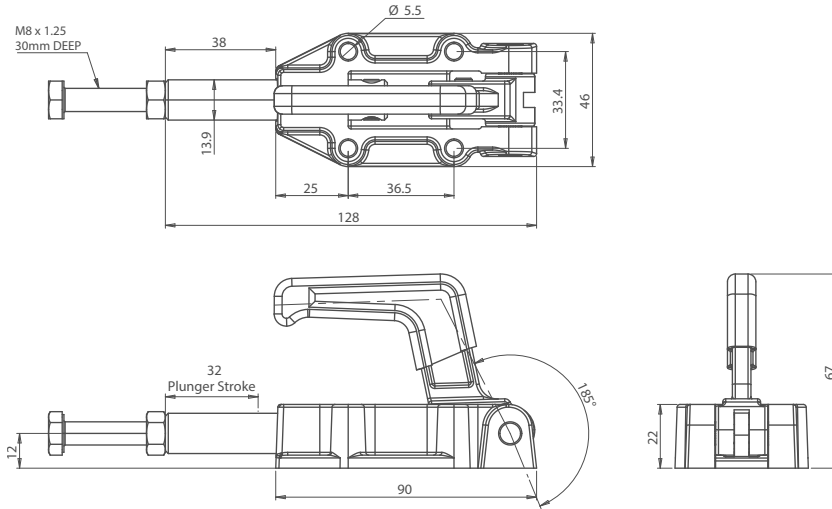


Push Pull Toggle Clamp Heavy Duty



203

CLAMPING & FIXING



KEY INFORMATION

- / **Part No.**
TC30600M
- / **Holding Force**
600Kg
- / **Plunger Stroke**
32mm
- / **Handle Opens**
185°
- / **Weight**
0.48Kg
- / **Spindle Supplied**
TC086512
- / **Flanged Washers Supplied**
N/A

