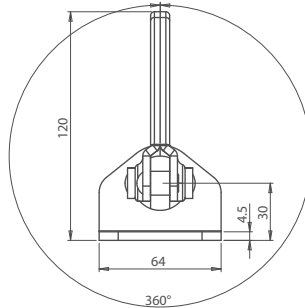
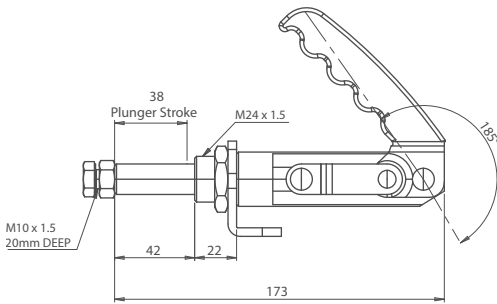
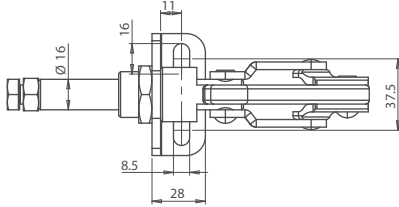


# Push Pull Toggle Clamp Nose Mounted

202

CLAMPING & FIXING



## KEY INFORMATION

- / **Part No.**  
TC30450M
- / **Holding Force**  
450Kg
- / **Plunger Stroke**  
38mm
- / **Handle Opens**  
185°
- / **Weight**  
0.774Kg
- / **Spindle Supplied**  
TC103015
- / **Threaded Collar**  
M24 x 1.5

