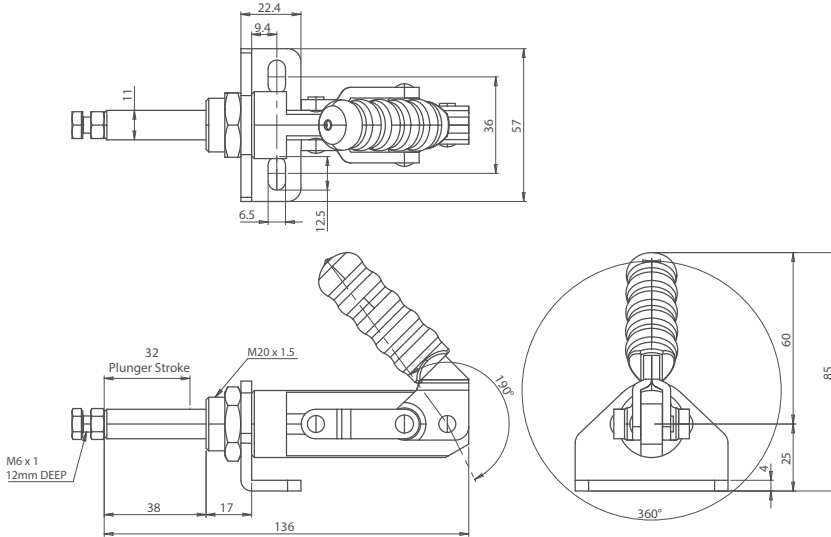


Push Pull Toggle Clamp Nose Mounted



201

CLAMPING & FIXING



KEY INFORMATION

- / **Part No.**
TC30250M
- / **Holding Force**
250Kg
- / **Plunger Stroke**
32mm
- / **Handle Opens**
190°
- / **Weight**
0.385Kg
- / **Spindle Supplied**
TC062010
- / **Threaded Collar**
M20 x 1.5

