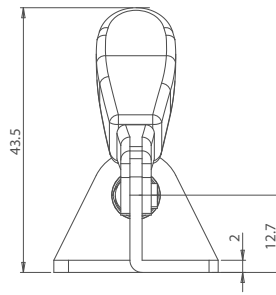
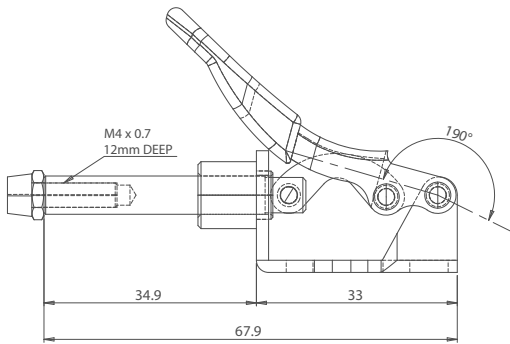
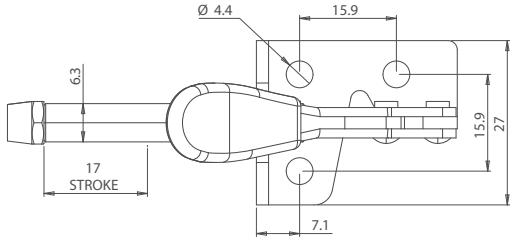


# Push Pull Toggle Clamp Flat Base

194

CLAMPING & FIXING



## KEY INFORMATION

- / Part No.  
TC301AM
- / Holding Force  
45Kg
- / Plunger Stroke  
16mm
- / Handle Opens  
190°
- / Weight  
0.05Kg
- / Spindle Supplied  
TC042007
- / Flanged Washers Supplied  
N/A

