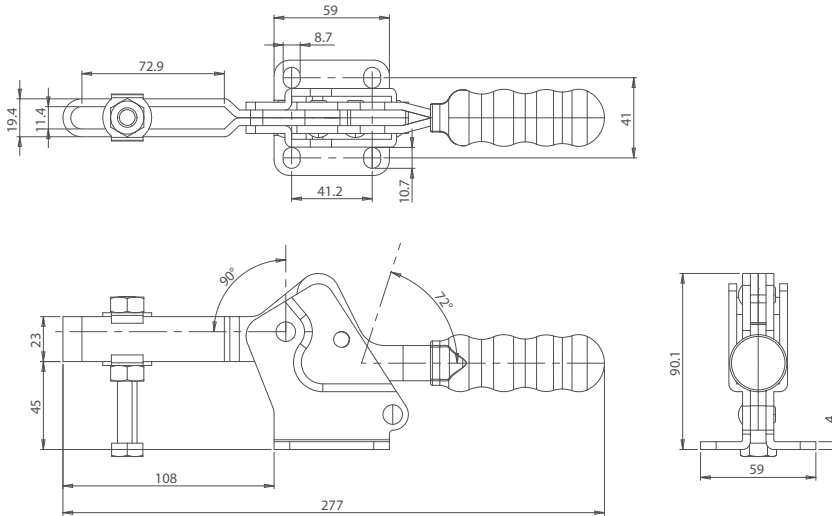


Horizontal Toggle Clamp Flat Base



193

CLAMPING & FIXING



KEY INFORMATION

- / Part No.
TC23502B
- / Holding Force
350Kg
- / Arm Opens
94°
- / Handle Opens
76°
- / Weight
0.5Kg
- / Spindle Supplied
TC107515
- / Flanged Washers Supplied
FW-380

