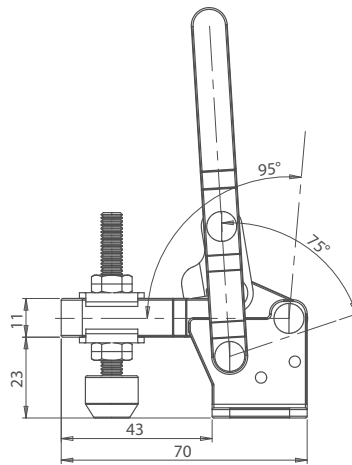
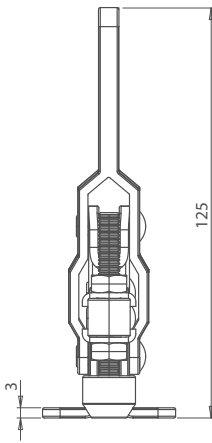
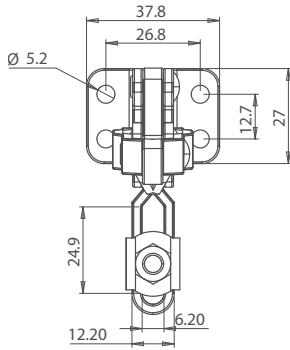


Vertical Toggle Clamp Flat Base Slotted Arm

182

CLAMPING & FIXING



KEY INFORMATION

- / Part No.
TC11502B
- / Holding Force
150Kg
- / Arm Opens
185°
- / Handle Opens
110°
- / Weight
0.195Kg
- / Spindle Supplied
TC065010+TC06 Cap
- / Flanged Washers Supplied
FW-140

