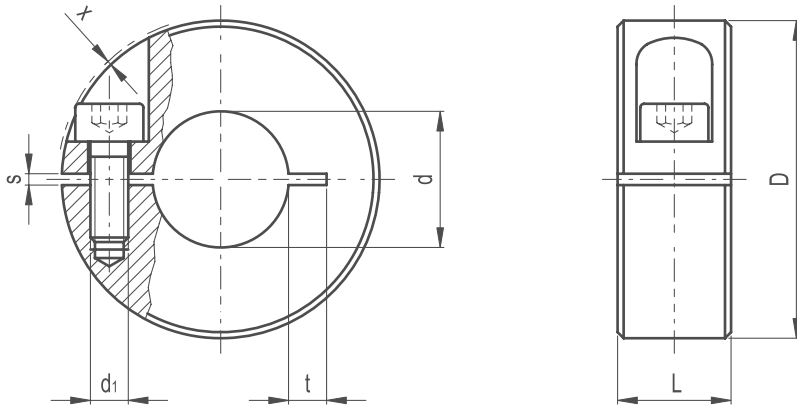


Semi-Split Clamping Collar Stainless Steel



/ Material

AISI 303 stainless steel, sandblasted matte finish.

/ Clamping assembly system

AISI 303 stainless steel grub screws, cylindrical head with hexagon socket, supplied assembled.

For diameters D = from 20 to 36 threaded through holes; D > 42 threaded blind holes.

FEATURES AND APPLICATIONS

Split set collars can be used not only as end stops, but they can also be used for fixing other components, such as end limit switches. Split set collars can also be assembled on shafts whose shape may not allow their sliding.

AISI 303 stainless steel, thanks to its high resistance to corrosion, allows the application of these split set collars on machines and equipment in those sectors where laws or particular hygienic, climatic and environmental factors make it mandatory to use corrosion resistant materials.



TECHNICAL DATA

Shaft tolerance = h11.

Part Reference	D	dH8	L	d1	s	x
SSCC1SS	20	6	9	M3	1.2	0.3
SSCC2SS	22	8	9	M3	1.2	0.2
SSCC3SS	26	10	11	M4	1.5	1
SSCC4SS	30	12	11	M4	1.5	0.2
SSCC5SS	32	14	11	M4	1.5	0.2
SSCC6SS	36	15	13	M5	1.5	1
SSCC7SS	36	16	13	M5	1.5	1
SSCC8SS	42	18	15	M5	1.5	0.2
SSCC9SS	42	20	15	M5	1.5	0.2
SSCC10SS	48	22	15	M5	1.5	0
SSCC11SS	48	25	15	M5	1.5	0
SSCC12SS	55	28	15	M6	1.5	0
SSCC13SS	55	30	15	M6	1.5	0
SSCC14SS	60	32	15	M6	2	0
SSCC15SS	60	35	15	M6	2	0
SSCC16SS	65	40	15	M6	2	0.2