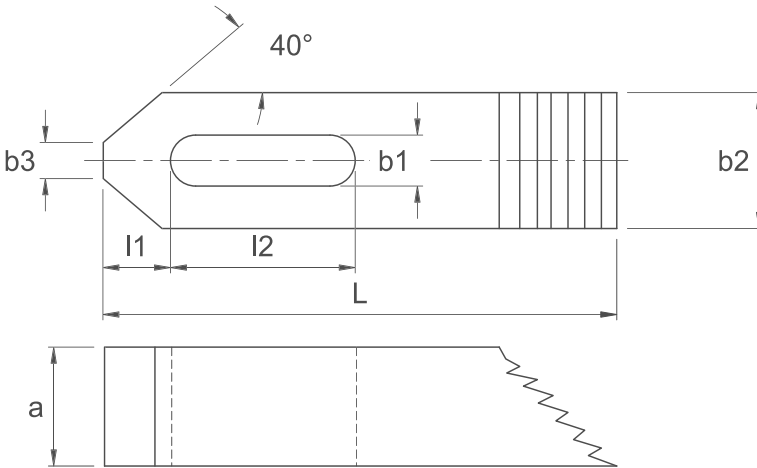


# Step Clamp

DIN 6314Z


**MATERIAL**

/ Heat treated steel, enamelled



Part Reference	b1	L	a	M	b2	b3	l1	l2
SPC1	7	50	10	M6	20	8	10	20
SPC2	9	60	12	M8	25	10	13	22
SPC3	11	80	15	M10	30	12	15	30
SPC4	14	100	20	M12+M14	40	14	21	40
SPC5	18	125	25	M16+M18	50	18	26	45
SPC6	22	160	30	M20+M22	60	22	30	60
SPC7	26	200	30	M24	70	26	35	80