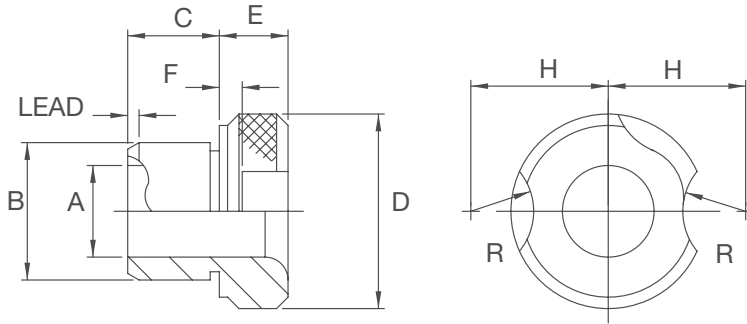


Renewable Bushes

BS 1098 PT.1 1967



ORDERING INSTRUCTIONS

- / Imperial bushes including metric bores.
- / Nitrided bushes for longer life can be supplied.
- / State: Qty, Type, Bore Size and Length
- / Example: 10, RPS3 12mm x 1" lg

Note: All bores of the 32nd and 64th sizes over 1/2" diameter are now considered special. Standard bore sizes see chart page 51.

/ The above Bushes are used in conjunction with Plain and Headed Liners and Lock Screws, as shown on pages 48 and 49.

Ream limits: If required state R after ref. Price on application.
/ Special bushes price on application.



A Dia. Range		B	Length C and Reference												
mm	Imp.	O.D.	5/16"	3/8"	1/2"	3/4"	1"	1 1/4"	1 3/8"	1 1/2"	1 3/4"	2"	2 1/4"	2 1/2"	
1.2 to 4.75	3/64 to 3/16	.3123 .3125	RPS1	RPS1	RPS1	RPS1									
3.9 to 8.7	5/32 to 11/32	.4997 .5000	RPS2	RPS2	RPS2	RPS2	RPS2	RPS2							
7.6 to 12.6	19/64 to 1/2	.7496 .7500			RPS3	RPS3	RPS3	RPS3		RPS3					
12.4 to 19.0	31/64 to 3/4	.9996 1.0000				RPS4	RPS4	RPS4	RPS4	RPS4	RPS4	RPS4			
17.5 to 26.75	11/16 to 1 1/16	1.3746 1.3750				RPS5	RPS5	RPS5	RPS5	RPS5	RPS5	RPS5	RPS5		
25.25 to 34.5	1 to 1 3/8	1.7496 1.7500					RPS6	RPS6	RPS6	RPS6	RPS6	RPS6	RPS6	RPS6	
33.0 to 45.0	1 1/16 to 1 1/4	2.2495 2.2500					RPS7	RPS7	RPS7	RPS7	RPS7	RPS7	RPS7	RPS7	

References shaded price on application

Ref.	Head Dimensions in inches					
	D	E	F	R	H	
RPS1	9/16	3/8	1/8	11/32	1/2	
RPS2	13/16	3/8	1/8	11/32	5/8	
RPS3	1 1/16	3/8	1/8	11/32	3/4	
RPS4	1 1/16	7/16	1/8	11/32	59/64	
RPS5	1 25/32	7/16	1/8	11/32	1 1/64	
RPS6	2 1/32	1/2	3/16	13/32	1 25/64	
RPS7	2 25/32	1/2	3/16	13/32	1 11/64	