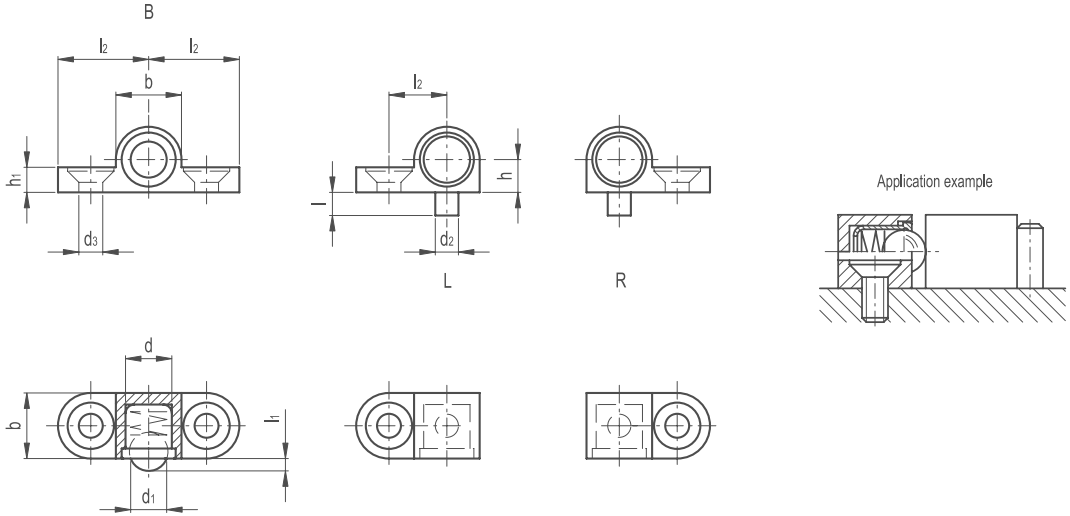


# Holders for Smooth Ball Spring Plungers



### MATERIAL

/ Nickel-plated die-cast zinc.

### FIXING

- / Execution B: two-side fixing wings.
- / Execution L: left-side fixing wing with positioning pin.
- / Execution R: right-side fixing wing with positioning pin.

### APPLICATIONS

Holders for spring plungers optimise the use of smooth ball spring plungers type.



Part Reference	D $\pm$ 0.05	d1	d2 $\pm$ 0.05	b	h $\pm$ 0.05	h1	l	l1 $\pm$ 0.1	l2 $\pm$ 0.05	Hole d3	Screw
HSBP1B	6	5	3	8.5	4.25	3.2	3	1.5	7.5	3.2	M3
HSBP2B	8	6.5	4	10.5	5.25	4.2	4	1.8	9.5	4.3	M4
HSBP3L	6	5	3	8.5	4.25	3.2	3	1.5	7.5	3.2	M3
HSBP4L	8	6.5	4	10.5	5.25	4.2	4	1.8	9.5	4.3	M4
HSBP5R	6	5	3	8.5	4.25	3.2	3	1.5	7.5	3.2	M3
HSBP6R	8	6.5	4	10.5	5.25	4.2	4	1.8	9.5	4.3	M4