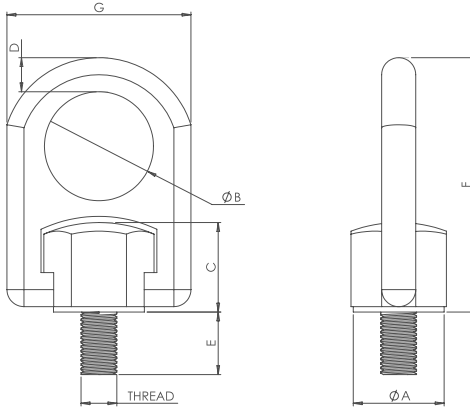


Metric Forged Swivel Hoist Ring



**VOLUME
DISCOUNT**

KEY FEATURES

- / 200% Proof-Load Tested with Serial Number for Traceability
- / Swivels 360° - Pivots 180°
- / Material: Alloy Steel
- / Finish: Black Oxide (Also Available: Cadmium Plated, Electroless Nickel Plated, Zinc Plated)

- / Safety Factor: 5:1
- / Magnetic Particle Inspected
- / Certified Heat Treatment
- / Rated at 100% from 0°-90°
- / Meets or Exceeds the Requirements of ASME B30.26.
- / Conforms to CE



Part No.	Rated Load (KGS)	Thread Size	Standard							Torque (N-M)	Weight (LBS)
			A	B	C	D	E (mm)	F	G		
FHRM56912	400	M8x1.25	1.32	1.40	1.16	0.44	15	3.29	2.38	9	1.0
FHRM56914	400	M8x1.25	1.32	1.40	1.16	0.44	20	3.29	2.38	9	1.0
FHRM56916	500	M10x1.50	1.32	1.40	1.16	0.44	15	3.29	2.38	16	1.0
FHRM56918	500	M10x1.50	1.32	1.40	1.16	0.44	25	3.29	2.38	16	1.0
FHRM56923	1,050	M12x1.75	2.23	2.40	1.97	0.75	20	5.60	4.05	37	4.0
FHRM56924	1,050	M12x1.75	2.23	2.40	1.97	0.75	25	5.60	4.05	37	4.0
FHRM56926	1,050	M12x1.75	2.23	2.40	1.97	0.75	35	5.60	4.05	37	4.0
FHRM56928	1,050	M14x2.00	2.23	2.40	1.97	0.75	30	5.60	4.05	40	4.0
FHRM56930	1,900	M16x2.00	2.23	2.40	1.97	0.75	25	5.60	4.05	80	4.0
FHRM56932	1,900	M16x2.00	2.23	2.40	1.97	0.75	35	5.60	4.05	80	4.0
FHRM56936	2,150	M20x2.50	2.23	2.40	1.97	0.75	25	5.60	4.05	135	4.0
FHRM56937	2,150	M20x2.50	2.23	2.40	1.97	0.75	35	5.60	4.05	135	4.0
FHRM56938	2,150	M20x2.50	2.23	2.40	1.97	0.75	40	5.60	4.05	135	4.0
FHRM56942	3,000	M20x2.50	2.95	3.20	2.62	1.00	30	7.48	5.40	135	9.0
FHRM56946	4,200	M24x3.00	2.95	3.20	2.62	1.00	30	7.48	5.40	311	9.0
FHRM56948	4,200	M24x3.00	2.95	3.20	2.62	1.00	40	7.48	5.40	311	9.0
FHRM56949	4,500	M30x3.50	2.95	3.20	2.62	1.00	40	7.48	5.40	637	9.0
FHRM56950	4,500	M30x3.50	2.95	3.20	2.62	1.00	50	7.48	5.40	637	9.0
FHRM56956	7,000	M30x3.50	3.73	4.00	3.28	1.25	50	9.35	6.75	637	19.0
FHRM56958	7,000	M30x3.50	3.73	4.00	3.28	1.25	65	9.35	6.75	637	19.0
FHRM56960	7,000	M33x3.50	3.73	4.00	3.28	1.25	55	9.35	6.75	637	19.0
FHRM56966	11,000	M36x4.00	3.73	4.00	3.28	1.25	65	9.35	6.75	1085	20.0
FHRM56968	12,500	M42x4.50	3.73	4.00	3.28	1.25	80	9.35	6.75	1085	21.0