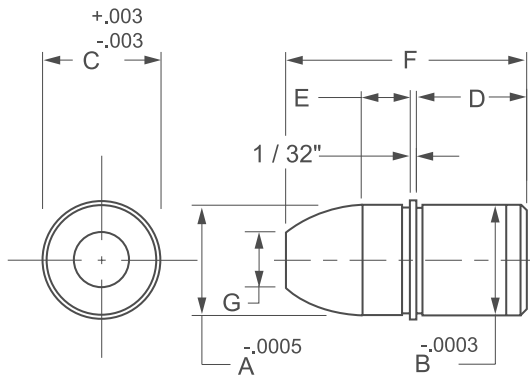


Location Pins

Bullet Nose Dowels



KEY FEATURES

- / Precision ground location system
- / Case hardened
- / Black oxide finish
- / Concentric to 0.0005" TIR
- / INCH and Metric sizes

APPLICATION

Bullet Nose Dowels BND are used in conjunction with a Bullet Nose Liner BNL to create a precision location system, aligning two work pieces with complete accuracy. The pins head and body diameters are concentric to within .0005" TIR.

ORDERING INSTRUCTIONS

When ordering identify the diameter required and identify the part number from the chart below. Example: BND2499

NOTES

If you cannot find what you are looking for, Boneham can manufacture special sizes and materials to specification.



INCH

Part No.	Dimensions								Mating Liner Part No.
	A		B	C	D	E	F	G	
	+ .0000	- .0005	+ .0000	+/- .003					
	NOMINAL	ACTUAL	- .0003						
BND2499	1/4	.2499	.2516	.280	.500	.125	.907	1/8	BNL2501
BND3124	5/16	.3124	.3141	.344	.500	.157	.939	5/32	BNL3126
BND3749	3/8	.3749	.3766	.407	.500	.187	1.032	3/16	BNL3751
BND4999	1/2	.4999	.5017	.532	.500	.187	1.094	1/4	BNL5001

METRIC

Part No.	Dimensions								Mating Liner Part No.
	A		B	C	D	E	F	G	
	+ .0000	- .0005	+ .0000	+/- .003					
BNDM600	6mm	6mm	7mm	12mm	3mm	22mm	1/8	BNLM600	
BNDM800	8mm	8mm	9mm	12mm	4mm	23mm	5/32	BNLM800	
BNDM1000	10mm	10mm	11mm	12mm	5mm	25mm	3/16	BNLM1000	
BNDM1200	12mm	12mm	15mm	12mm	5mm	27mm	1/4	BNLM1200	