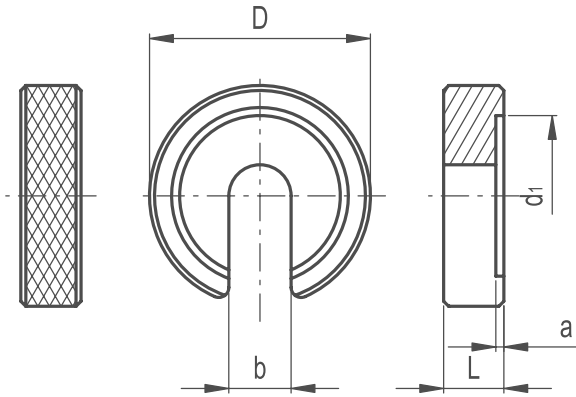


C-Shaped Washers



MATERIAL

/ Case-hardened and black-oxide steel.

FEATURES

C-shaped washers are suitable for assembly on parts to be machined without removing the nut from the screw.



Part Reference	D	L	b	d1	a	For Threadings
CW1-3660	22	6	6.2	16	0.8	M6
CW1-3660-1	28	6	6.2	16	1	M6
CW2-3660	28	7	8.3	21	1	M8
CW2-3660-2	34	7	8.3	21	1.2	M8
CW3-3660	34	8	10.4	25	1.2	M10
CW4-3660	40	9	12.5	30	1.8	M12
CW4-3660-4	56	9	12.5	37	1.8	M12
CW5-3660	56	12	16.5	37	1.8	M16