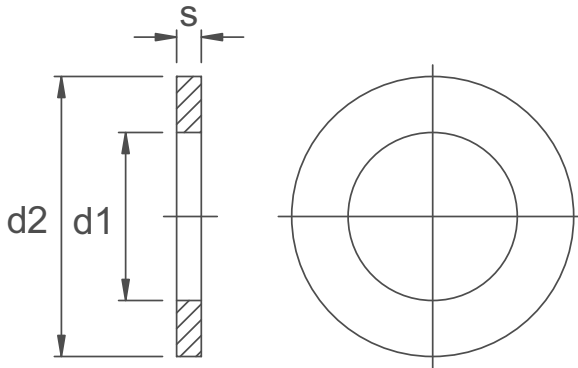


# Washers

DIN 6340



## KEY FEATURES

- / Hardened and tempered (350 + 80) HV 30
- / Black oxide
- / Ideal for clamping applications



Part Reference	Screw Size	d1	d2	s
W1-2818	M6	6.4	17	3
W2-2826	M8	8.4	23	4
W3-2834	M10	10.5	28	4
W4-2842	M12	13.0	35	5
W5-2859	M14	15.0	40	5
W6-2867	M16	17.0	45	6
W7-2875	M18	19.0	45	6
W8-2883	M20	21.0	50	6
W9-2891	M22	23.0	50	8
W10-2909	M24	25.0	60	8
W11-2917	M27	28.0	68	10
W12-2925	M30	31.0	68	10
W13-2933	M36	38	80	12