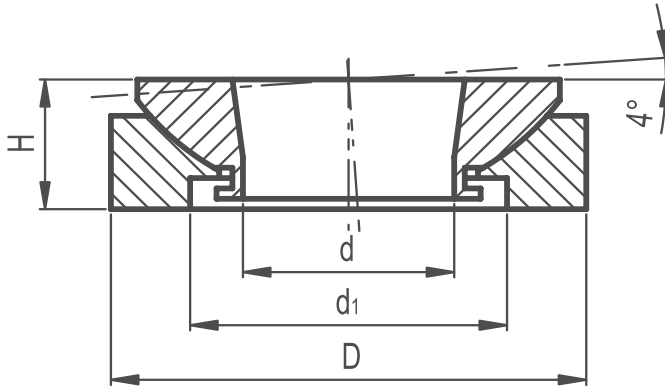


Levelling Washers Stainless Steel



MATERIAL

/ AISI 316 stainless steel.

FEATURES AND APPLICATIONS

Levelling washers are suitable for locking mechanical parts on non-parallel surfaces. The coupling of the spherical surfaces of the two "non-dismountable" washers allows a high load resistance. AISI 316 stainless steel, thanks to its high resistance to corrosion, allows the application of these washers on machines and equipment in those sectors where laws or particular hygienic, climatic and environmental factors make it mandatory to use corrosion resistant materials.



Part Reference	D	H	d	d1	Max Screw Dimension	Static Load (N)
LW1SS	25	8	8.5	15	M6	27100
LW2SS	32	10	13	20	M10	43400
LW3SS	45	12.5	20	30	M16	84000
LW4SS	58	16	29	38	M24	148000
LW5SS	70	20	36	48	M30	225000
LW6SS	80	20	44	61	M36	323000