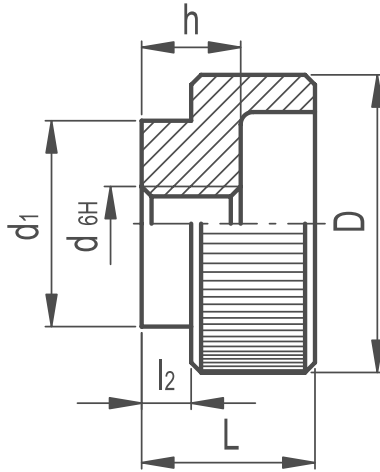


# Knurled Grip Nut

DIN 6303


**/ Material**

Black-oxide steel.

**/ Assembly**

Tapped through hole.

**/ Material**

AISI 303 stainless steel, sandblasted matte finish.

**/ Assembly**

Tapped through hole.

**FEATURES AND APPLICATIONS**

AISI 303 stainless steel, thanks to its high resistance to corrosion, allows the application of these knobs on machines and equipment in those sectors where laws or particular hygienic, climatic and environmental factors make it mandatory to use corrosion resistant materials.



## Knurled Grip Nuts DIN 6303

Part Reference	Hole d	h	D	L	d1	l2
KGN1	M5	7	20	12	14	4
KGN2	M6	8	24	14	16	4
KGN3	M8	10	30	17	20	5
KGN4	M10	12	36	20	28	6
KGN5	M12	16	40	24	32	8

## Knurled Grip Nuts DIN 6303-303 Stainless Steel

Part Reference	Hole d	h	D	L	d1	l
KGN1SS	M5	7	20	12	14	4
KGN2SS	M6	8	24	14	16	4
KGN3SS	M8	10	30	17	20	5
KGN4SS	M10	12	36	20	28	6
KGN5SS	M12	16	40	24	32	8