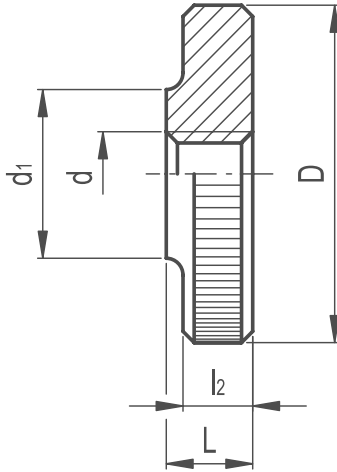


# Flat Knurled Nut

DIN 467



333

POSITIONING & MACHINE ELEMENTS

- / **Material**  
Turned black-oxide steel.
- / **Assembly**  
Tapped through hole.

- / **Material**  
AISI 303 stainless steel, sandblasted matte finish.
- / **Assembly**  
Tapped through hole.



**FEATURES AND APPLICATIONS**  
AISI 303 stainless steel, thanks to its high resistance to corrosion, allows the application of these knobs on machines and equipment in those sectors where laws or particular hygienic, climatic and environmental factors make it mandatory to use corrosion resistant materials.

## Flat Knurled Nut DIN 467

Part Reference	Hole d	D	L	d1	l2
FKN1	M3	12	3	6	2.5
FKN2	M4	16	4	8	3.5
FKN3	M5	20	5	10	4
FKN4	M6	24	6	12	5
FKN5	M8	30	8	16	6
FKN6	M10	36	10	20	8
FKN7	M12	40	12	22	10

## Flat Knurled Nut DIN 467-303 Stainless Steel

Part Reference	Hole d	D	L	d1	l2
FKN1SS	M3	12	3	6	2.5
FKN2SS	M4	16	4	8	3.5
FKN3SS	M5	20	5	10	4
FKN4SS	M6	24	6	12	5
FKN5SS	M8	30	8	16	6