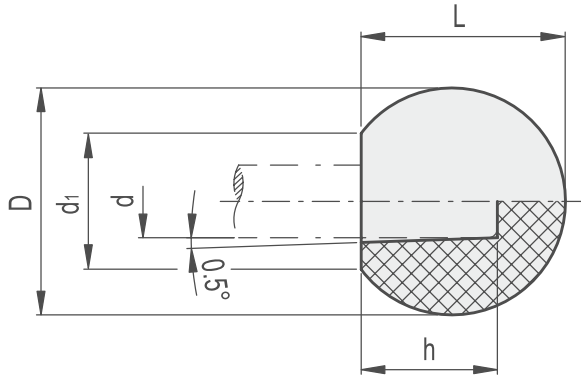


Ball Knobs

Press Fit



MATERIAL

/ Phenolic based (PF) Duroplast
/ Resistant to solvents, oils, greases and other chemical agents

COLOUR

/ Black, glossy finish

STANDARD EXECUTION

Slightly cone-shaped plain blind hole. The coupling, by press-fit assembly on h9 tolerance drawn stock bars, is not affected by vibrations and prevents the handle from slipping off.

ASSEMBLY INSTRUCTIONS

Fit the handle onto slight chamfered shaft end and push as far as possible by hand or by means of a small press. Alternatively it is possible to tap the handle with a plastic or wooden mallet until firmly in place. In this case we strongly recommend to use a cloth or other suitable soft material over the product to avoid any surface damage.



Part Ref.	Description	D	L	d1	d	h	Weight (g)
BKPF1	16-N4	16	15	8	4	10	3
BKPF2	16-N6	16	15	8	6	10	3
BKPF3	20-N5	20	18	12	5	12	6
BKPF4	20-N6	20	18	12	6	12	6
BKPF5	25-N6	25	23	14	6	16	10
BKPF6	25-N8	25	23	14	8	16	9
BKPF7	30-N8	30	28	15	8	19	14
BKPF8	30-N10	30	28	15	10	19	13
BKPF9	32-N8	32	29	18	8	17	23
BKPF10	32-N10	32	29	18	10	17	22
BKPF11	35-N8	35	33	19	8	24	27
BKPF12	35-N10	35	33	19	10	24	26
BKPF13	40-N10	40	37	22	10	18	42
BKPF14	40-N12	40	37	22	12	18	40
BKPF15	45-N12	45	43	22	12	28	60
BKPF16	45-N14	45	43	22	14	28	58
BKPF17	50-N12	50	46	26	12	30	76
BKPF18	50-N14	50	46	26	14	30	75
BKPF19	50-N16	50	46	26	16	30	73