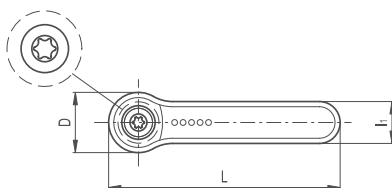
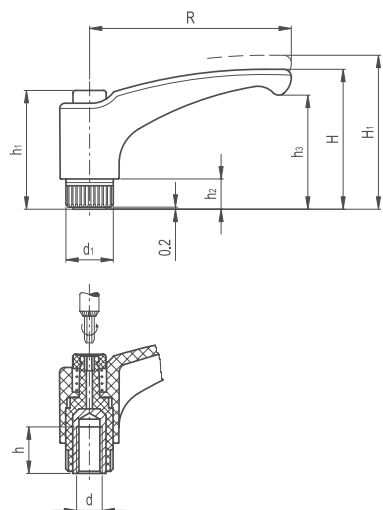


# Adjustable Clamping Lever for Quick Assembly Female



## LEVER BODY

/ Glass-fibre reinforced polyamide based (PA) technopolymer  
/ Resistant to solvents, oils, greases and other chemical agents

## COLOUR

/ Grey-black, matte finish

## PUSH BUTTON

/ Technopolymer, RAL 2004 orange colour, glossy finish  
/ On request and for sufficient quantities it can be supplied in one of the other Ergostyle colours

## CLAMPING ELEMENT WITH RETAINING PIN

Glass-fibre reinforced technopolymer, black colour, with knurling on the protruding part to make initial tightening easier. AISI 302 stainless steel return spring.

## ASSEMBLY

Brass boss, tapped blind hole.

## SPECIAL EXECUTIONS ON REQUEST

(For sufficient quantities)  
/ Lever body in orange colour

## FEATURES AND APPLICATIONS

Even if it has a plastic push button, adjustable handle offers the possibility of a quick initial screwing during assembly by means of electric or pneumatic screwdrivers with controlled tightening torque system.

## INSTRUCTIONS OF USE

For clamping, lift the lever to disengage the clamping device toothing and bring it back to start position. By releasing the lever, the return spring automatically engages the toothing.

## ERGONOMY AND DESIGN

The slightly arched shape of the lever and the ergonomic terminal enlargement give the operator a comfortable and safe grip and make the design of the handle more elegant, while the thumb rests naturally on the push button.



Part Reference	R	L	D	H	H1	h1	h2	h3	d1	L1	Mounting Hole		Teeth No.
											d 6h	h	z
ACLQAF1	78	90.5	23	54	58	45	12	44	19	16	M10	18	24
ACLQAF2	78	90.5	23	54	58	45	12	44	19	16	M12	17	24