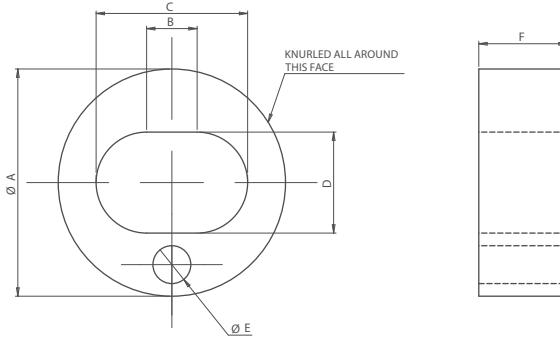


# Knurled Slotted Mould Bush

For Composite Moulds



## KEY FEATURES

- / Mild Steel
- / Chemically Blacked
- / Deep Knurl
- / Compact Design
- / 7mm Long

## APPLICATION

Knurled Slotted Mould Bushes are designed for the mould tool-up process. During a curing process thermal expansion may occur causing the movement of the mating bushes in the base mould. Boneham have designed the Slotted Mould Bush to allow for variable expansion by accepting natural longitudinal adjustment, preventing misalignment. They are designed to accept standard dowel pins. The elongated bushing features a drilled hole to assist in clocking up the bush during setting.

## ORDERING INSTRUCTIONS

When ordering check the size of pin in use and choose corresponding part number. Example:  
/ 8mm pin order: CLS8MM

## NOTES

- / Can be used with Boneham pins and drill bushes



## Slotted Bushing – For use with Standard Dowels

Part Code	Slot W x L	Outside Diameter A	Length F	Clock Pin
CLS6MM	6mm x 10mm	18mm	7mm	3mm
CLS8MM	8mm x 12mm	18mm	7mm	3mm
CLS10MM	10mm x 14mm	24mm	10mm	3mm