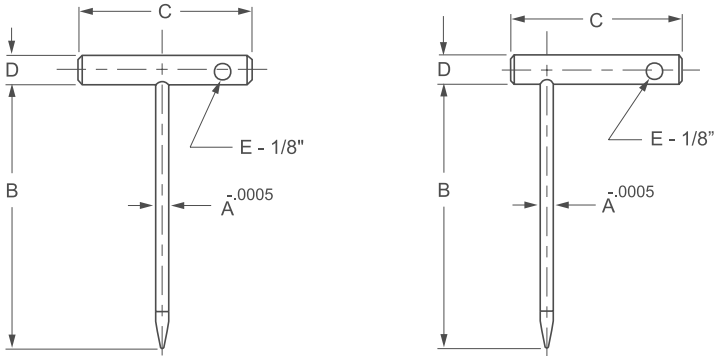


L-Pins and T-Pins

Case Hardened Steel – Black Oxide Finish



KEY FEATURES

- / Precision ground pin
- / Case hardened steel
- / Black oxide finish
- / Drilled handle for cable assembly

APPLICATION

L Shaped Alignment Pins LP:

L-Pins are used to align location devices in Jig and Fixtures. They are precise and quick to remove. The 'L' shape is ideal when working space is restrictive. A cross drilled 1/8 hole is supplied in the handle to connect the pin to the fixture using an optional cable of lanyard.

T Shaped Alignment Pins TP:

T-Pins are used to align location devices in Jig and Fixtures. They are precise and quick to remove. The T shaped pins allow for greater grip

control and easy removal. A cross drilled 1/8 hole is supplied in the handle to connect the pin to the fixture using an optional cable of lanyard."

ORDERING INSTRUCTIONS

When ordering identify the nominal diameter required and then choose the length from the chart below. Example: 0.1910 x 6

NOTES

If you cannot find what you are looking for, Boneham can manufacture special sizes and materials to specification.



INCH Alignment Pins

T-PIN Part No.	L-PIN Part No.	Dimensions				
		A (+.0000 -0.0005)	B (+-.06)	C	D	E (+-.06)
TP125025	LP125025	0.1250	2-1/2	1-1/2	1/4	1/4
TP156235	LP156235	0.1562	3-1/2	2-1/2	5/16	1/4
TP18753	LP18753	0.1875	3	2-1/2	5/16	1/4
TP18754	LP18754	0.1875	4	2-1/2	5/16	1/4
TP18756	LP18756	0.1875	6	2-1/2	5/16	1/4
TP19103	LP19103	0.1910	3	2-1/2	5/16	1/4
TP19104	LP19104	0.1910	4	2-1/2	5/16	1/4
TP19106	LP19106	0.1910	6	2-1/2	5/16	1/4
TP19603	LP19603	0.1960	3	2-1/2	5/16	1/4
TP25002	LP25002	0.2500	2	2-1/2	3/8	3/8
TP25003	LP25003	0.2500	3	2-1/2	3/8	3/8
TP25004	LP25004	0.2500	4	2-1/2	3/8	3/8

ALL DIMENSIONS IN INCHES

Continued on next page

INCH Alignment Pins

T-PIN Part No.	L-PIN Part No.	Dimensions				
		A (+.0000 -.0005)	B (+-.06)	C	D	E (+-.06)
TP25006	LP25006	0.2500	6	2-1/2	3/8	3/8
TP25703	LP25703	0.2570	3	2-1/2	3/8	3/8
TP25704	LP25704	0.2570	4	2-1/2	3/8	3/8
TP31252	LP31252	0.3125	2	2-1/2	7/16	1/2
TP312535	LP312535	0.3125	3-1/2	3	7/16	1/2
TP31254	LP31254	0.3125	4	3	7/16	1/2
TP31256	LP31256	0.3125	6	3	7/16	1/2
TP37503	LP37503	0.3750	3	2-1/2	1/2	1/2
TP37504	LP37504	0.3750	4	3-1/2	1/2	1/2
TP37505	LP37505	0.3750	5	3-1/2	1/2	1/2
TP37506	LP37506	0.3750	6	3-1/2	1/2	1/2
TP37507	LP37507	0.3750	7	3-1/2	1/2	1/2
TP43754	LP43754	0.4375	4	3-1/2	9/16	5/8
TP43755	LP43755	0.4375	5	3-1/2	9/16	5/8
TP43756	LP43756	0.4375	6	3-1/2	9/16	5/8
TP50004	LP50004	0.5000	4	3-1/2	9/16	5/8
TP50005	LP50005	0.5000	5	3-1/2	9/16	5/8
TP50006	LP50006	0.5000	6	3-1/2	9/16	5/8
TP50007	LP50007	0.5000	7	3-1/2	5/8	5/8
TP50009	LP50009	0.5000	9	3-1/2	5/8	5/8
TP56254	LP56254	0.5625	4	3-1/2	5/8	5/8
TP56256	LP56256	0.5625	6	3-1/2	5/8	5/8
TP62506	LP62506	0.6250	6	3-1/2	7/8	3/4
TP62508	LP62508	0.6250	8	3-1/2	7/8	3/4
TP75006	LP75006	0.7500	6	3-1/2	7/8	3/4

ALL DIMENSIONS IN INCHES

METRIC Alignment Pins

T-PIN Part No.	L-PIN Part No.	Dimensions				
		A (+.0000 -.0005)	B (+-.06)	C	D	E (+-.06)
TP488	LP488	4	88	64	8	8
TP576	LP576	5	76	64	8	8
TP5152	LP5152	5	152	64	8	8
TP676	LP676	6	76	64	10	10
TP6152	LP6152	6	152	64	10	10
TP888	LP888	8	88	76	11	11
TP8152	LP8152	8	152	76	11	11
TP1076	LP1076	10	76	64	13	13
TP10152	LP10152	10	152	88	13	13
TP12102	LP12102	12	102	88	16	16
TP12152	LP12152	12	152	88	16	16
TP16152	LP16152	16	152	88	22	22
TP16204	LP16204	16	204	88	22	22
TP20152	LP20152	20	152	88	22	22
TP20204	LP20204	20	204	88	22	22

ALL DIMENSIONS IN MILLIMETERS