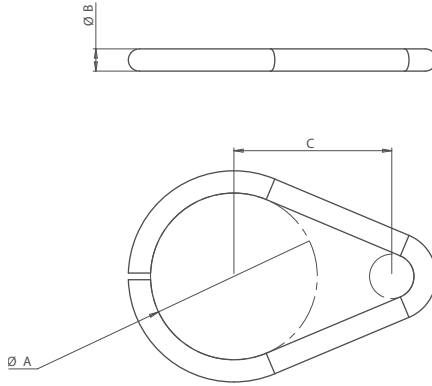


# Cable Clips

## Clips for Cables



### KEY FEATURES

- / Use with Boneham Cables
- / To suit T-Bar and Alignment Pins
- / 304 Stainless Steel
- / Simple economic cable solution

### APPLICATION

Retaining Clips for Boneham cables are a simple and economic method of securing components to cables (lanyards) which then prevent loss or damage to important location and alignment pins on fixtures.

### ORDERING INSTRUCTIONS

When ordering: Identify the clip size required and choose corresponding part number. Lanyards ordered seperately.



Part No.	A (ID)	B	C
LCC8.5SS	0.335	0.039	0.279
LCC11.5SS	0.453	0.047	0.343
LCC14.5SS	0.571	0.063	0.405
LCC17.5SS	0.689	0.063	0.468
LCC20.5SS	0.807	0.078	0.532