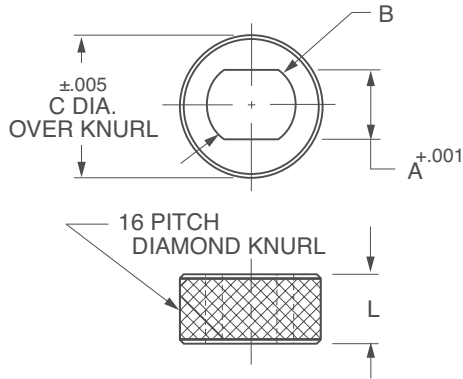


Slotted Locator Bushes

KSL Type Knurled Locator Bushes



KEY FEATURES

- / Inch sizes
- / Heat treated to HRC 58-62
- / Knurled OD
- / Ground

APPLICATION

Boneham Metal Products KSL type bushes are designed with a knurled OD for setting or casting into composites or soft materials. Like the 'SL type' these locator bushes are used with locator pins such as the 'L' or 'T' pins. The slotted bush allows for relief in one direction during alignment, whilst maintaining tight tolerances in the other direction.

ORDERING INSTRUCTIONS

When ordering identify the slot width required and select corresponding part number. Example: KSL-408

NOTES

The KSL bushes OD diamond knurl allows for the locator bush to be embedded into materials such as composites.



Part No.	A	B	C	L	PIN DIA
KSL-368	0.1876	0.312	0.565	0.500	3/16
KSL-408	0.2501	0.375	0.640	0.500	1/4
KSL-488	0.3126	0.437	0.765	0.500	5/16
KSL-568	0.3751	0.500	0.890	0.500	3/8
KSL-648	0.5001	0.625	1.015	0.500	1/2
KSL-9616	0.5001	0.625	1.015	1.000	1/2