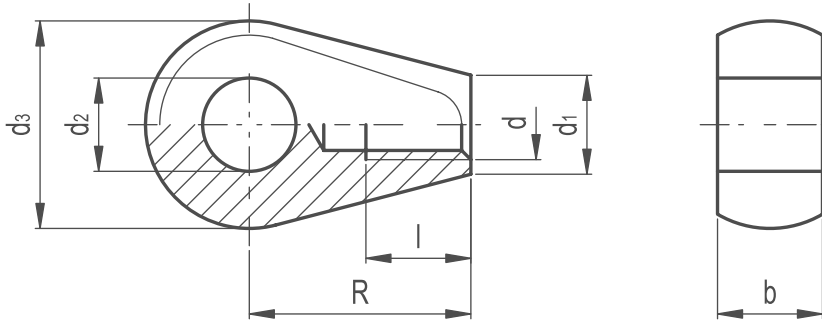


# Eye Nuts



**MATERIAL**

/ Black-oxide steel, class 5.8 (tensile strength 500 N/mm<sup>2</sup>).

**APPLICATIONS**

Eye nuts can be used together with threaded studs of different lengths. They are used mainly for assembly equipment and connections.



Part Reference	d	d1	d2 H7	d3 -0.3	R	b -0.15	l
EYN1	M6	8.5	8	18	19	9	9
EYN2	M8	11	10	20	24	12	11
EYN3	M10	13.5	12	25	28	14	14
EYN4	M12	16	16	32	34	17	16